

A complex, light gray wireframe structure composed of numerous interconnected lines forming a mesh of irregular polygons, resembling a stylized globe or a network diagram, serves as the background for the entire page.

AUTOSTART

---

OPERATING MANUAL

version 803.1

## TABLE OF CONTENTS

General information .....	4
Advantages of the system .....	4
System functions .....	5
<b>OPERATIONAL STEPS .....</b>	<b>6</b>
Mobile app Author Comfort .....	6
Pre-start activities .....	8
Starting the engine .....	8
Engine shutoff .....	11
Comfort option .....	11
Service mode .....	12
<b>INSTALLATION AND CONFIGURATION .....</b>	<b>13</b>
Installation of the module .....	13
AUTOSTART module training .....	13
Configuring AUTOSTART operating time .....	15
Additional devices .....	17
<b>REFERENCE INFORMATION .....</b>	<b>18</b>
AUTOSTART module options .....	18
Software update .....	20
Reset to factory settings .....	20
Connection of module to additional devices .....	21
<b>ANNEX .....</b>	<b>24</b>
Compatibility list .....	24
Specifications .....	27
Contents of the set .....	27

## General information

The AUTOSTART module is designed to make remote start of your car.

The AUTOSTART system allows to warm up the engine and the car interior in cold weather, as well as to cool down the interior on hot days before the ride.

The device makes it possible to start the engine with standard car key or additional devices, such as an additional alarm system or GSM module.

**ATTENTION!** The AUTOSTART module is designed only for cars with **automatic transmission**. Cars with mechanical transmission are not supported!

## Advantages of the system

AUTOSTART key benefits:

- Easy to install.
- Remote start via additional devices (GSM module, tracking device, alarm system without remote start function, etc.).
- Remote start using the mobile app for Android and standard car key.
- Termination of the remote start functions at the attempt of theft.
- Indication with external lights (optional).
- Service mode.

## System functions

- **Remote engine start**

Combines functions of keyless transponder bypass and power module. There is no need to leave the key in the car or to connect additional devices – the module operates autonomously.

- **Configuring remote start duration**

The duration of engine operation when started remotely is easy to configure.

- **Retention of anti-theft functions**

The car remains protected during the remote start. The engine stops when:

- doors, hood or trunk locks open;
- accelerator or brake pedal is pressed;
- start (start-stop) button is pressed;
- the car detects an attempt to insert a physical key into the ignition lock;
- automatic transmission is switched to the «Parking» position.

In addition, the steering wheel remains blocked during the remote start (see the list of supported cars at <http://service.author-alarm.com>).

- **Fuel level tracking**

The engine automatically stops if the fuel level is low (only for Mitsubishi).

## OPERATIONAL STEPS

### Mobile app Author Comfort

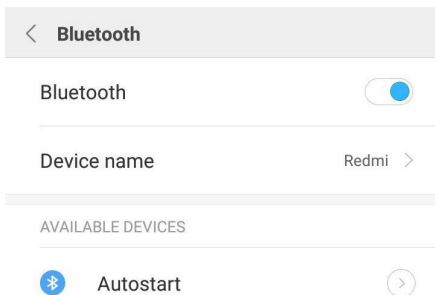
AUTOSTART module can be easily set and managed with a mobile app Author Comfort for Android (version 4.3 and higher):

<https://play.google.com/store/apps/details?id=com.dma.author.comfort>

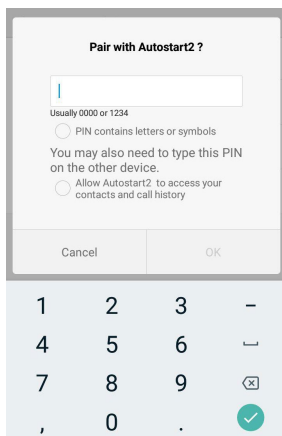


In order to get an access to the system follow the next steps:

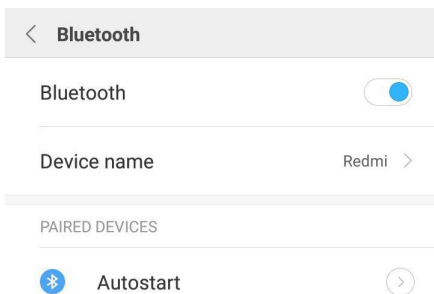
1. Switch on the Bluetooth in your smartphone and wait till the AUTOSTART module is detected in the list of the available devices.



2. Choose your device from the list, enter the code specified on the first page of the operation manual and press OK.



3. Wait till device and the smartphone are connected.



4. Run the Author Comfort app.

## Pre-start activities

Before launching the remote start, make sure that the gear selector is set to P (Parking), the ignition is off, doors and the hood are closed, fuel level is not lower than 7% (only for Mitsubishi).

A car can **not** be started remotely when:

- the ignition is on (or the key is placed in the ignition lock);
- doors, hood or trunk are opened;
- accelerator or brake pedal is pressed;
- fuel level is lower than necessary (only for Mitsubishi);
- transmission is not set to P (Parking) position.

## Starting the engine

1. With Author Comfort app.

Press the START button on the tab «Control».

2. Start via standard car key.

Press the Lock button that locks the car three times, pausing for 0.5 but not more than 2.5 seconds between each click.

3. Start via additional device.

It is necessary to apply the negative impulse (for more than 0.3 seconds) to the external input of the module (purple wire).

The engine will start while the central lock will remain closed.



COMFORT

CONTROL

SETTINGS



**ATTENTION!** If the engine has not started after connection and after the command to start engine has been sent, it is necessary to train the module once again (see page 13).

The default duration of engine running time when engine started remotely is 15 minutes. The value can be adjusted (see the section «Configuring AUTOSTART operating time», p. 15).

**ATTENTION!** It is recommended not to insert car key into the ignition, do not to press START-STOP button and do not to stay inside the car with a standard car key when the remote start is on.

If the external light indication mode (see p. 18) is on, the parking lights, alarm lights and the light repeaters on side mirrors will be flashing when the engine is operating (depends on car model/brand, see [author-alarm.com](http://author-alarm.com)).\*

The possibility to start the engine with the standard car key or with the additional device depends on settings in «AUTOSTART module options», page 18.

\* During the remote start in Toyota and Lexus the system indicates by flashing alarm lights once every 15 seconds.

## Engine shutoff

AUTOSTART module automatically stops the remote start at the attempt of theft. The system constantly monitors the violation of the main protection zones reacting on the following events:

- doors, hood or trunk locks open;
- accelerator or brake pedal is pressed;
- start (start-stop) button is pressed;
- key is inserted into ignition lock;
- automatic transmission is switched to Parking.

It is possible to stop the engine earlier than the set time by one of the following ways:

- press STOP button on the tab «Control» in the Author Comfort app;
- open the car door;
- press the Lock button on standard car key 3 times;
- (if additional starting device is used) send another command to apply negative potential for 0.3 seconds on the purple wire.

### «Comfort» option

Some car models\* support «Comfort» option – it closes the windows and the sunroof, folds the mirrors during the remote start. This option is **active** by default. The procedure for switching off is described on page 18.

\* Visit <http://service.author-alarm.com>

## Service mode

The service mode is used for temporary deactivation of the anti-theft module when you give your car for the maintenance (without saying about the device).

Follow the next steps in order **to switch on the service mode**:

With Author Comfort mobile app.

Go to the tab «Settings» and use the slide-switch «Service mode».



With accelerator\*:

1. Press the accelerator pedal as far as it can go.
2. Keep the accelerator pressed, start the ignition but do not start the engine.
3. Release the accelerator pedal. AUTOSTART will be the mode for options changing. The indication on the dashboard will appear every 3 seconds.
4. Press the accelerator pedal 5 times. The activation of the service mode will be confirmed by 5 indication signals on the dashboard.

**The service mode is deactivated** by putting the slide-switch in «Service mode» in the position OFF or with the accelerator pedal\* (accelerator must be pressed 4 times). Four indication signals will indicate that the service mode is deactivated.

\* For some car models other controls are used instead of accelerator pedal (see the annex).

## INSTALLATION AND CONFIGURATION

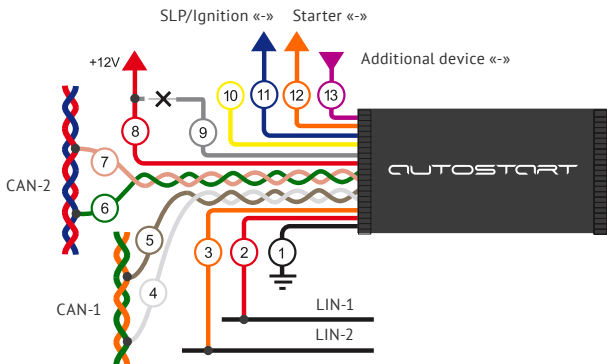
### Installation of the module

Connect the wires the following way in order to connect the device (see the **Wiring map** at <http://service.authoralarm.com>):

1. **Black.** Ground/earth.
2. **White-red.** LIN-1.
3. **Orange-black.** LIN-2.
4. **White.** CAN1-L.
5. **Brown.** CAN1-H.
6. **Green.** CAN2-L (for Mitsubishi and KIA/Hyundai).
7. **Pink.** CAN2-H (for Mitsubishi and KIA/Hyundai).
8. **Red.** Power supply «+».
9. **Grey.** To power supply «+» while training the device.
10. **Yellow.** Not used.
11. **Blue.** Output to SLP wire (only for Toyota/Lexus) or output to ignition power supply «-» (for others).
12. **Orange.** Negative «-» output to the starter.
13. **Purple.** Negative «-» input to start by signal from additional device.

### AUTOSTART module training

**ATTENTION!** While training the AUTOSTART module, all additional devices connected to the car via the CAN bus must be turned off or have the service mode on (otherwise it can be an obstacle for module training).



1. Connect the AUTOSTART module to the car according to the wiring map.
2. Turn on the ignition.
3. Connect the grey wire to power supply «+». The car is automatically identified, indication signals flash confirming that the module is trained.
4. Disconnect the grey cable from power supply «+».
5. Turn off the ignition.
6. Reset power on the AUTOSTART module.

**Installation is completed.**

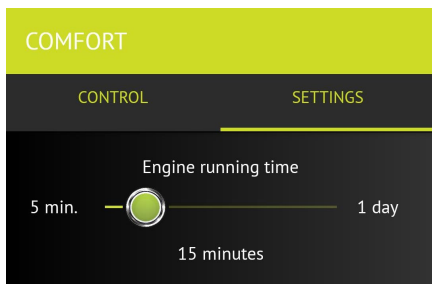
## Configuring AUTOSTART operating time

The duration of engine operation when started remotely is 15 minutes by default.

The value can be changed:

1. With Author Comfort app.

On the tab «Settings» and set the duration of the remote start moving the slider along the scale. The value will be saved automatically.



2. With accelerator or brake pedal.

- Turn off the ignition.
- Press the accelerator pedal as far as it can go.
- Switch on the ignition without starting the engine.
- Indication signals will be provided every 3 seconds.
- Release the accelerator pedal.
- To set the duration of engine operation, press the brake pedal the appropriate number of times (see programming table) with pauses no longer than 2.5 seconds. Every time you press the brake pedal, it is confirmed by the turn-signals on the

dashboard. When the installation is finished, wait for the repeated indication that corresponds to the programmed value.

- Turn off the ignition.

### Programming table

Pressing No.	1	2	3	4	5	...
Duration of engine operation, min.	5	10	15	20	30	+10

The duration of engine operation when started remotely is 15 minutes by default (marked in grey in the table).

If you press the brake pedal once, it means the engine will work for 5 minutes. Second, third and fourth pressing add 5 minutes each. Fifth and subsequent pressings add 10 minutes to the duration time.

For instance, if you want to set the duration for 20 minutes, press the brake pedal 4 times, and 8 times for 60 minutes.



## Additional devices

The AUTOSTART module also supports additional devices: security systems with feedback, GSM modules and other devices that allow to start the engine from a longer distance.

External input (purple wire) is designed for connecting additional devices. When feeding the negative potential of more then 0.3 seconds to the purple wire, the module receives the command to start the engine. A repeated command of 0.3 seconds stops the engine.

The connection of additional devices to AUTOSTART module is described on p. 21. For programmed switching of the remote start using the additional devices use the corresponding option in AUTOSTART module options (p. 18) or the corresponding switch on the tab «Settings» in Author Comfort mobile app.

Start via additional device



## REFERENCE INFORMATION

### AUTOSTART module options

**ATTENTION!** The options are supported depending on a car model (See the section System compatibility on the web-site [author-alarm.com](http://author-alarm.com)).

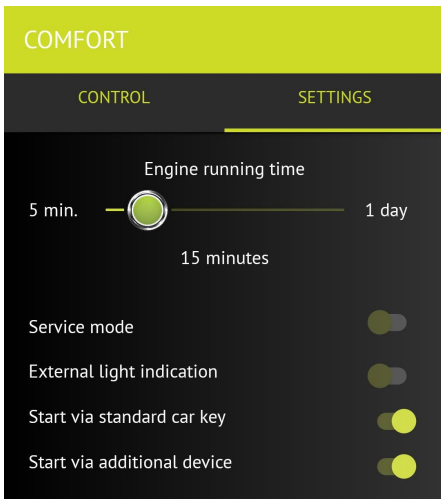
Option	switched on	switched off
Service mode	5	4
External indication	6	7
Start via standard car key	8	9
Start via additional device	10	11
«Comfort» option	12	13
Software update mode	20	-
Resetting	25	-

The state of options installed in the system by default («switched on», «switched off») is marked with grey in the table. The figures in the table show how many times the service button shall be pressed to set a particular option state).

The state can be changed in one of the following ways:

#### **With mobile app Author Comfort**

On the tab «Settings» set the switches to the necessary position depending on what option state you need.



**With accelerator.\*** Do the following:

1. Press the accelerator pedal as far as it can go.
2. Keep the accelerator pressed, start the ignition but do not start the engine.
3. Release the accelerator pedal. AUTOSTART will be a mode for options changing. The indication on the dashboard will be provided every 3 seconds.
4. Press the accelerator number of times – «switched on» or «switched off» (see the figures in the corresponding column in the table). For example, 6 times to switch on the External indication or 7 times to switch it off.

\* For some car model other controls are used instead of an accelerator pedal (see the annex).

The indication signals will confirm the action. Number of signals corresponds to the number of times the accelerator is pressed. The option state will be changed.

5. If there are no indication signals, the accelerator was pressed for the wrong number of times. In order to activate the necessary option repeat the procedure beginning with the first step.

## **Software update**

AUTOSTART module has special mode for updating the software (embedded software) that does not need the device to be dismantled.

The procedure is described in the section AUTOSTART module options (p. 18). The accelerator shall be pressed 20 times. The indication signal on the dashboard will confirm the action. The system will be in the software update mode.

## **Reset to factory settings**

In order to reset to factory settings the AUTOSTART module use the procedure for changing of the options (p. 18). The accelerator shall be pressed 25 times. The system will confirm the resetting with 25 signals on the dashboard.

All settings will be changed to the default settings; the devices connected to the module (IGLA and etc.) will be deleted.

## Connection of module to additional devices

The connection of AUTOSTART module with additional devices shall be performed once before the first time the module is used.

**ATTENTION!** The procedure shall be made strictly in the following way only: During one procedure only one device can be connected!

### In order to connect to IGLA:

1. Connect both devices according to the scheme specified in the manuals (grey wire for AUTOSTART shall not be connected!).
2. Start up the ignition.
3. Switch IGLA to PIN change mode by one of the following ways:
  - connect the grey wire from IGLA to power supply «+»;
  - if the device is already connected, after the authorization is successful enter the current PIN-code once again while pressing the accelerator pedal as far as it can go.

**ATTENTION!** If the current PIN-code includes «Slight touch on accelerator pedal», it is necessary to enter the PIN-code once again after the authorization (item 2) and then press the accelerator pedal as far as it can go.

4. Connect grey AUTOSTART wire with the red one and apply power supply «+».
5. The system will be in the connecting mode. The successful connection will be confirmed:

- with AUTOSTART module indication signal;
  - with double indication signal of IGLA.
6. Turn off the ignition and disconnect the grey wire from power supply «+». Modules are connected.

### **In order to connect to ATLAS:**

1. Install ATLAS as it is specified in the manual.
2. Connect AUTOSTART as it is specified on p. 13-14. (grey wire to power supply «+»).

**ATTENTION!** If it is difficult to reach the module, switch AUTOSTART to software update mode (the procedure is described on p. 18-20, the grey wire may not be connected).

3. Start up the ignition. The system will be in the connecting mode.
4. Launch ATLAS mobile app. On the tab «Settings – Information» on subsection «Connected IGLA unit» press «Connect». The successful connection will be confirmed:
  - with AUTOSTART module indication signal;
  - with a message about the successful connection in the ATLAS mobile app.
5. Turn off the ignition and disconnect the grey wire from power supply «+». Modules are now connected.

### **In order to connect to COMPASS:**

There are two ways of connecting the remote start module AUTOSTART and the tracking device COMPASS:

- using the analogue connection (green wire from COMPASS to the purple wire from AUTOSTART);
- using digital CAN-bus (white and brown wires).

In order to enable joint work of the remote start module AUTOSTART and of the tracking device COMPASS via CAN-bus both devices shall be installed connected to each other:

1. Set **the master-phone** in Author Compass mobile app for Android.
2. Connect and train the AUTOSTART module (see p. 13-14).
3. Turn off the ignition.
4. Connect grey AUTOSTART wire with the red one and apply power supply «+».
5. Start up the ignition.
6. Send command [password] **SET CAN AS+** (e.g., *1234 SET CAN AS+*) to the SIM-card phone number of the tracking device).



Wait for the SMS message confirming the connection of the devices and double light indication of the dashboard.

7. Turn off the ignition.
8. Disconnect red and grey AUTOSTART wires from power supply «+». Modules are connected.

In order to disconnect AUTOSTART and COMPASS it is enough to send an SMS-request [**password**] **SET CAN AS-** (e.g., *1234 SET CAN AS-*) to the SIM-card phone number of the tracking device.

## ANNEX

### List of the supported car models

Brand	Model	Year	Config.	Eng.	CAN
Citroen	C-Crosser	2007 - 2013	not min.	G	int/eng
Citroen	C4 Aircross	2012 - 2016	not min.	G	int/eng
Fiat	Fullback	2016 - 2017	key	D	eng
Hyundai	Creta*	2015 - 2017	-	2.0G	int/eng
Hyundai	Elantra VI*	2016 - 2017	-	G	int/eng
Hyundai	Grand Santa Fe III*	2016 - 2017	-	D	int/eng
Hyundai	i30 III	2017 - 2017	-	G	int/eng
Hyundai	i40*	2015 - 2017	-	2.0G	int/eng
Hyundai	Santa Fe III*	2015 - 2017	-	D	int/eng
Hyundai	Solaris*	2017 - 2017	-	G	int/eng
Hyundai	Sonata*	2017 - 2017	-	2.0G	int/eng
Hyundai	Tucson III*	2015 - 2017	-	G	int/eng
Infiniti	FX	2008 - 2012	button	G/D	eng
Infiniti	JX	2012 - 2015	button	G	eng
Infiniti	QX50	2013 - 2017	button	G	eng
Infiniti	QX56	2010 - 2013	button	G/D	eng
Infiniti	QX60	2014 - 2017	button	G	eng
Infiniti	QX70	2013 - 2017	button	G/D	eng
Infiniti	QX80	2013 - 2017	button	G/D	eng



Brand	Model	Year	Config.	Eng.	CAN
KIA	Ceed II*	2015 - 2017	-	G	int/eng
KIA	Cerato III*	2013 - 2017	-	G	int/eng
KIA	Mohave I*	2017 - 2017	-	D	int/eng
KIA	Optima IV*	2015 - 2017	-	G	int/eng
KIA	Picanto II*	2017 - 2017	-	G	int/eng
KIA	Quoris I*	2015 - 2017	-	G	int/eng
KIA	Rio*	2012 - 2017	-	G	int/eng
KIA	Sorento II*	2012 - 2017	-	G/D	int/eng
KIA	Sorento Prime	2015 - 2017	-	G/D	int/eng
KIA	Soul*	2016 - 2017	-	G	int/eng
KIA	Sportage IV*	2015 - 2017	-	G	int/eng
Lexus	ES*	2012 - 2018	button	G	eng
Lexus	GX 460	2015 - 2018	button	G	eng
Lexus	IS250/350	2013 - 2016	button	G	eng
Lexus	LX450/570	2015 - 2017	button	G/D	eng
Lexus	NX200/ 200t/300h	2014 - 2017	button	G/ Hybr.	eng
Lexus	RX200t/ 270/350	2016 - 2017	button	G/ Hybr.	eng
Lexus	RX450h	2016 - 2017	button	G/ Hybr.	eng
Mazda	3	2013 - 2017	button	G	eng
Mazda	6	2013 - 2017	button	G	eng
Mazda	CX-5	2017 - 2017	button	G	eng
Mazda	CX-9	2017 - 2017	button	G	eng

Brand	Model	Year	Config.	Eng.	CAN
Mitsubishi	ASX (RVR)	2010 - 2016	not min.	G	int/eng
Mitsubishi	L200	2016 - 2017	key	D	двиг
Mitsubishi	Lancer X	2009 - 2016	not min.	G	int/eng
Mitsubishi	Outlander II	2009 - 2012	not min.	G	int/eng
Mitsubishi	Outlander III	2012 - 2016	key/button	G	int/eng
Nissan	Juke	2012 - 2017	button	G	eng
Nissan	Murano	2016 - 2017	button	G	eng
Nissan	Note	2011 - 2015	button	G	eng
Nissan	Pathfinder	2014 - 2017	button	G	eng
Nissan	Patrol	2012 - 2017	button	G	eng
Nissan	Qashqai	2010 - 2014	button	G	eng
Nissan	Sentra	2015 - 2017	button	G	eng
Nissan	Teana	2014 - 2017	button	G	eng
Nissan	X-Trail	2008 - 2013	button	G	eng
Peugeot	4007	2007 - 2016	key/button	G	int/eng
Peugeot	4008	2012 - 2016	key/button	G	int/eng
Toyota	Alphard	2015 - 2017	button	G	eng
Toyota	Camry*	2012 - 2018	button	G	eng
Toyota	Corolla*	2012 - 2018	button	G	eng
Toyota	Fortuner	2018 - 2018	button	D	eng
Toyota	Highlander	2014 - 2017	button	G	eng
Toyota	Hilux	2015 - 2017	button	D	eng
Toyota	LC 200	2015 - 2017	button	G/D	eng
Toyota	LC Prado	2018 - 2018	button	G	eng
Toyota	RAV-4*	2012 - 2018	button	D	eng

\* It necessary to connect to LIN bus (For assembly scheme visit our website <http://service.author-alarm.com>).

## Specifications

Current consumption in standby mode (the ignition is off) .....	7 mA
Operating voltage .....	6-30 V

## Contents of the set

AUTOSTART module	1 pcs.
Operating manual	1 pcs.
Packing	1 pcs.



Made in Russia

Manufacturer: LLC «DMA Group»

C-RU.MT49.B.01595

The developer and the manufacturer retain the right to make technical updates not specified in this operating manual. To learn more visit our web-site:

<http://author-alarm.com>



## WARRANTY CERTIFICATE

Warranty is 12 months from the date of the purchase. During this period technical support and maintenance are guaranteed for free.

The warranty does not apply to the items with:

- mechanical damage, burnt and char pieces, components, conductive tracks etc.;
- traces of an independent repair;
- damage caused by natural hazards, fire, social factors;
- violation of the tamper-evident seal, damage or absence of a factory/trade label.

Only items in complete set and with the original packing are taken for warranty repair.

Absence of packing is regarded as noncompliance with transportation rules. The warranty does not apply to the damage incurred to another equipment operating together with this device.

Item (model) \_\_\_\_\_

Sale date \_\_\_\_/\_\_\_\_/\_\_\_\_\_

The contents of delivery \_\_\_\_, functioning \_\_\_\_, absence of mechanic damage \_\_\_\_ are checked.

I am acquainted and agree with the condition of warranty service:

Buyer \_\_\_\_\_

Seller \_\_\_\_\_ seal









Supported Cars List App.

