

A complex geometric wireframe pattern of thin grey lines forming various polygons, serving as a background for the cover.

AR 320

OPERATING MANUAL



AUTHOR
ALARM

Dear car owner!

Please note that the AUTHOR Alarm's anti-theft devices are not intended for self-installation.

We strongly recommend to install and configure the purchased equipment only in certified installation centers.

TABLE OF CONTENTS

General information	4
How it works?	4
Power converter module installation	5
Specifications	6
List of standard equipment	6

General information

Power converter module is designed to control the power circuits of the car.

The module can be controlled by any external anti-theft device and used in any circuit cut that will lead to engine locking when the circuit is opened or closed and the vehicle cannot be driven.

How it works?

The converter is controlled via applying negative potential «-» to any thin wire of the device (ORANGE, BLUE, GREEN). This leads to creation of positive power potential «+» in corresponding color thick wire.

Negative potential signals can be applied alternately or simultaneously - depending on the operation mode of the control device (multiple devices), such as anti-theft system IGLA, remote engine start module AUTOSTART, etc.

Constant positive potential «+» must be always present on the RED wire for the converter to be in operation.

Power converter module installation

To install the module connect its wires as follows:

1. **Orange.** 0,2 mm²

2. **Blue.** 0,2 mm²

3. **Green.** 0,2 mm²

Control inputs «-»

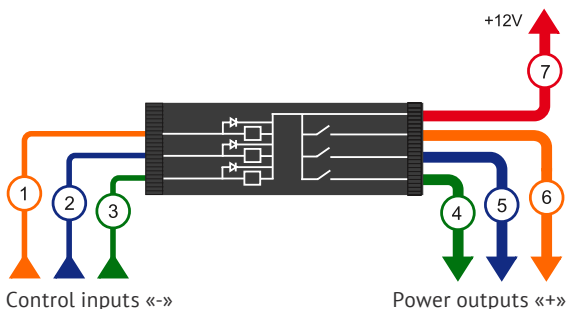
4. **Green.** 2,5 mm²

5. **Blue.** 2,5 mm²

6. **Orange.** 2,5 mm²

Power outputs «+»

7. **Red.** Common wire. Constant positive potential «+»



Specifications

Operating voltage	7-20 V
Peak permanent current through a closed contact under normal conditions	25 A
Normal operation temperatures range	-40 – +85 °C
Dust and waterproof protection	IP67

List of standard equipment

Power converter module	1 pcs.
Operating manual	1 pcs.
Packing	1 pcs.



Made in Russia

Manufacturer: LLC «DMA Group»

C-RU.A114.B.10097

The developer and the manufacturer retain the right to make technical updates not specified in this operating manual. To learn more visit our web-site:

<http://author-alarm.com>



WARRANTY CERTIFICATE

Warranty is 12 months from the date of the purchase. During this period technical support and maintenance are guaranteed for free. The warranty does not apply to the items with:

- mechanical damage, burnt and char pieces, components, conductive tracks etc.;
- traces of an independent repair;
- damage caused by natural hazards, fire, social factors;
- violation of the tamper-evident seal, damage or absence of a factory/trade label.

Only items in complete set and with the original packing are taken for warranty repair.

Absence of packing is regarded as noncompliance with transportation rules. The warranty does not apply to the damage incurred to another equipment operating together with this device.

Item (model) _____

Sale date ____/____/_____

The contents of delivery ____, functioning ____, absence of mechanic damage ____ are checked.

I am acquainted and agree with the condition of warranty service:

Buyer _____

Seller _____ seal



Supported Cars List App.

